

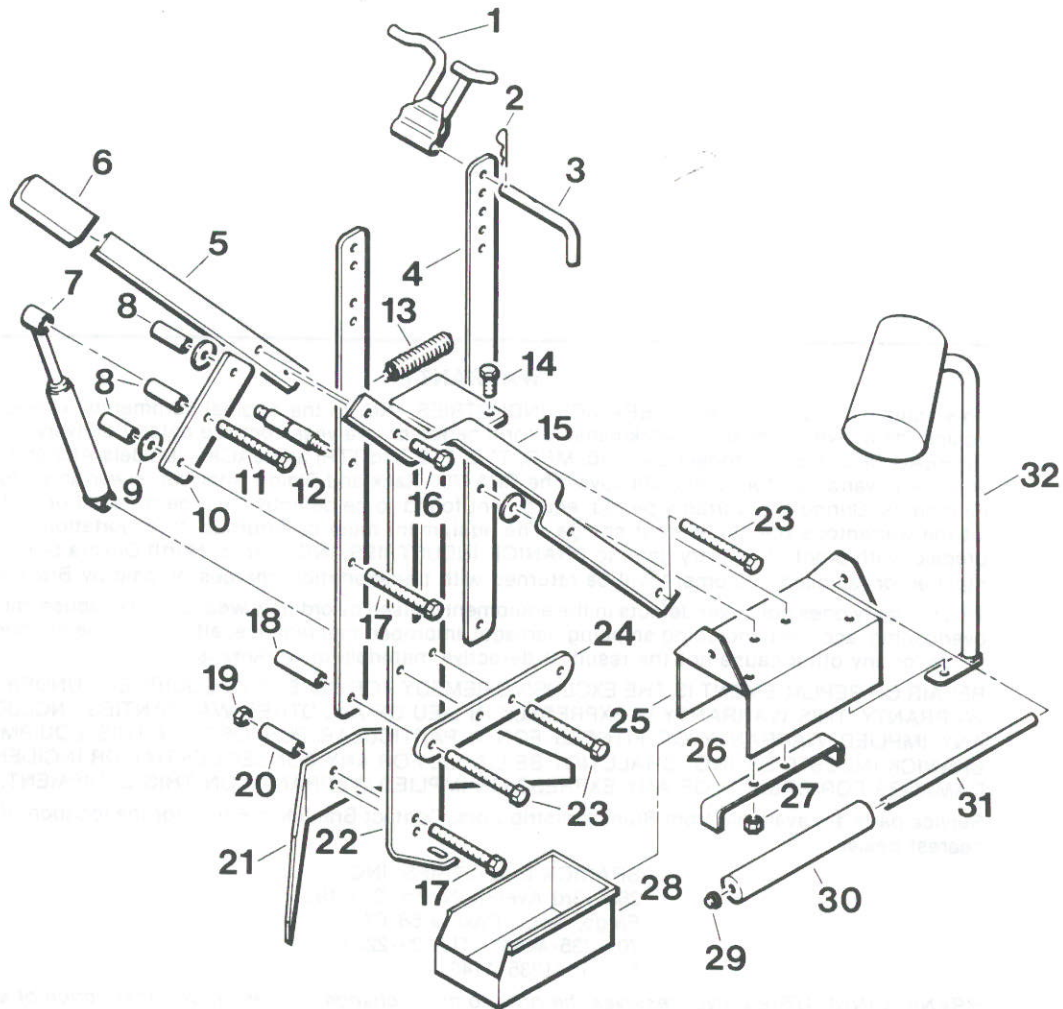
# Branick

## Tire Handling Equipment

## Repair Parts Information

Passenger Truck Spreader

MODEL PTS



ITEM NO.	PART NO.	NO. REQ'D	DESCRIPTION	ITEM NO.	PART NO.	NO. REQ'D	DESCRIPTION
1	23.839	2	Hook	17	122.028	4	Capscrew
2	224.061	2	Pin	18	543.268	6	Tube
3	232.061	2	Pin	19	154.055	17	Locknut
4	227.103	4	Arm	20	545.268	2	Tube
5	98.070	1	Handle	21	49.636	2	Leg
6	16.550	1	Grip	22	92.013	2	Spreader Guide
7	34.030	1	Shock Absorber	23	341.028	6	Capscrew
8	544.268	3	Tube	24	224.103	2	Arm
9	9.108	6	Fiber Washer	25	71.001	2	Bin Housing
10	226.103	2	Arm	26	470.111	2	Bracket
11	22.028	1	Capscrew	27	9.055	4	Nut
12	78.186	2	Threaded Spacer	28	97.625	2	Bin
13	83.110	1	Extension Spring	29	24.020	4	Cap
14	12.028	4	Capscrew	30	28.963	2	Roller
15	225.103	2	Arm	31	316.149	2	Rod
16	289.028	2	Capscrew	32	16.376	1	Lamp