

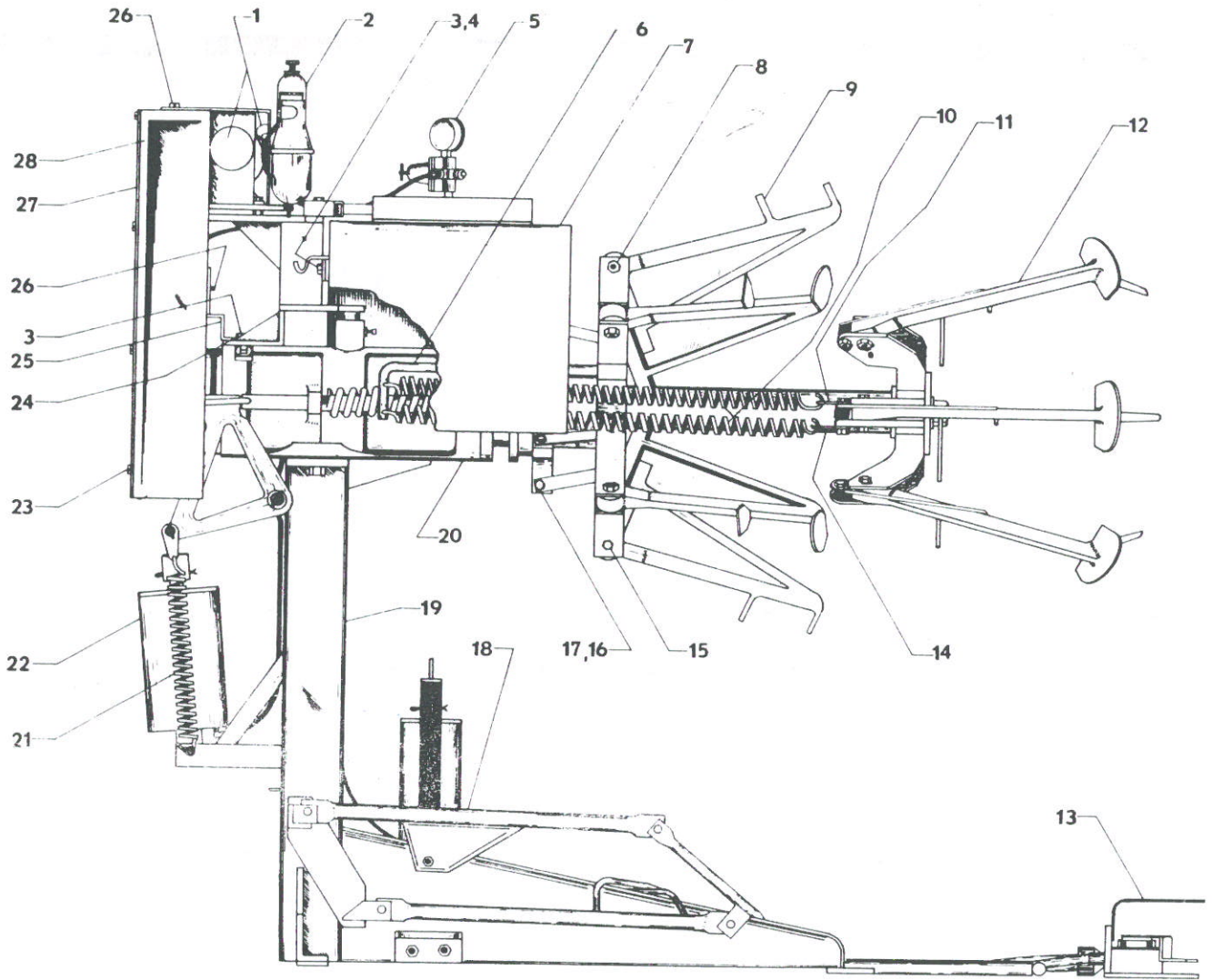
Branick

Tire Handling Equipment

Repair Parts Information

Band Type Tire Spreader

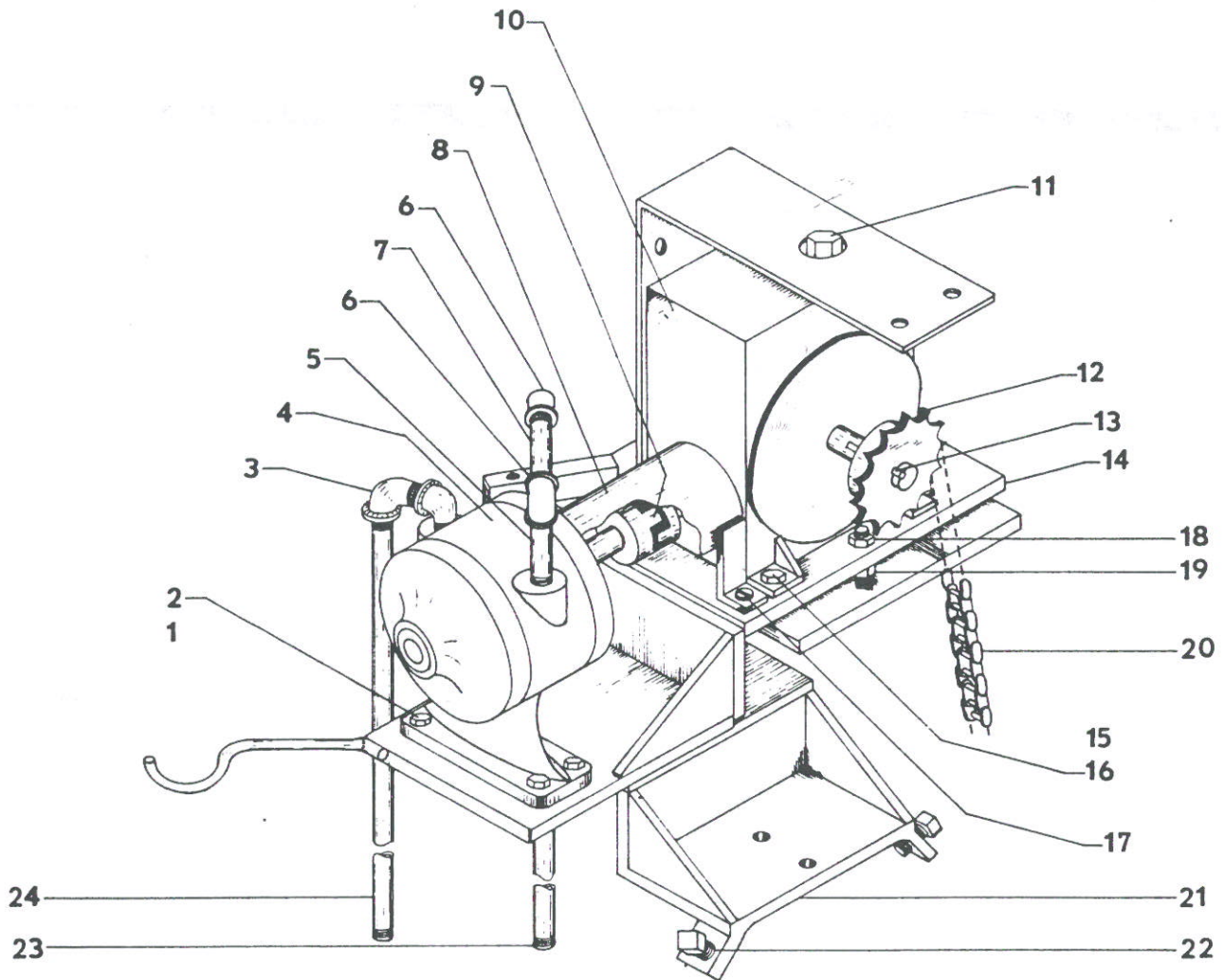
MODEL 6A/AR/S and
6A/AR/EF/S



ITEM NO.	DESCRIPTION	Q'TY.	PART NUMBER	PAGE	ITEM NO.	DESCRIPTION	Q'TY.	PART NUMBER	PAGE
1	A. R. Drive	1	ND461.900	2	15	1/2 N.C.H.H.C.S. x 2 1/4	6	ND 23.028	
2	Filter - Lub. - Regular Ass'y.	1	ND454.900	6	16	7/16 N.C.H.H.C.S. x 2	6	ND 44.028	
3	5/16 N.C.H.H.C.S. x 1	4	ND 14.028		17	7/16 N.C. Hex Lock Nut	6	ND 21.055	
4	5/16 N.C. Hex Lock Nut	2	ND 23.055		18	Lift (on EF only)	1	ND192.950	5
5	Control Valves	1		5	19	Pedestal	1	ND627.950	
6	Spring Rod	2	ND141.149		20	Housing and Cylinder	1	ND210.900	4
7	Rotating Spring Shield	1	ND 17.298		21	Spring	2	ND 5.110	
8	1/2 N.C. Hex Lock Nut	6	ND 58.055		22	Dia. Cyl. & Power Transfer	1		3
9	Diameter Arm	6	ND583.950		23	No. 8 x 1/2 Type A Screw	9	ND146.028	
10	Spring	4	ND 4.110		24	5/16 Lockwasher	2	ND 67.108	
11	Spring Bracket	2	ND226.111		25	Swivel Stabilizer	1	ND629.950	
12	Spread Arm	6		3	26	1/4 - 20 x 1/2 Type F Screw	4	ND148.028	
13	Air Switch	1	ND463.900	6	27	Shield Cover	1	ND 45.098	
14	Spring Bracket	2	ND227.111		28	Chain Shield	1	ND 6.298	

Branick

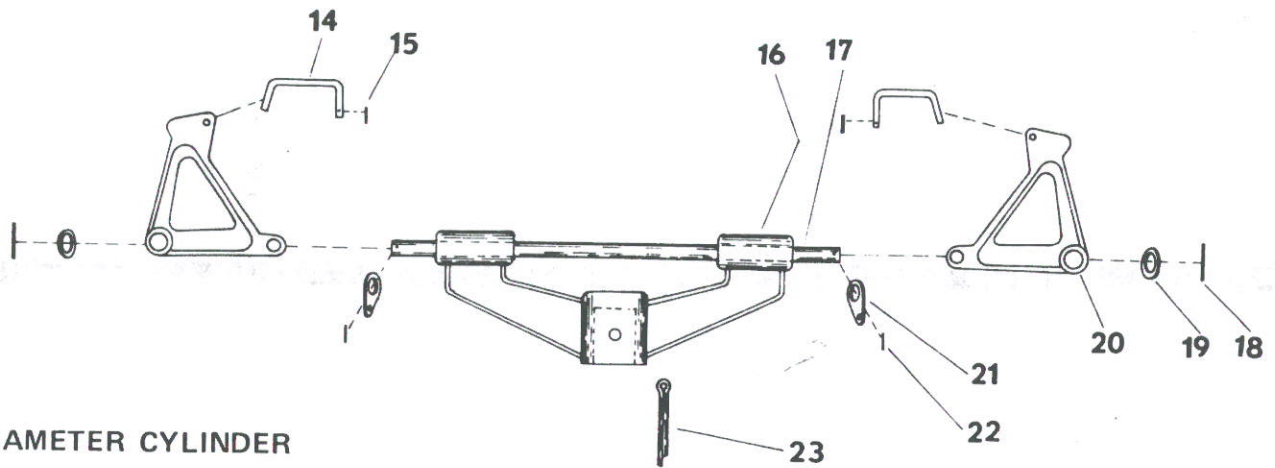
Repair Parts List For Model 6A/AR/S & 6A/AR/EF/S Spreader



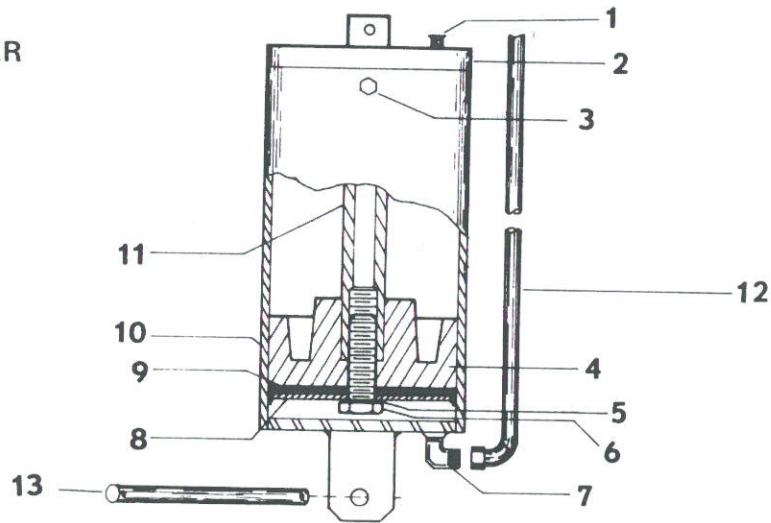
AR DRIVE ASSEMBLY 461.900

ITEM NO.	PART NUMBER	Q'TY.	DESCRIPTION	ITEM NO.	PART NUMBER	Q'TY.	DESCRIPTION
1	ND 22.055	4	1/4 N.C. Hex Lock Nut	15	ND 14.028	4	5/16 N.C. H.H.C.S. x 1
2	ND 41.028	4	1/4 N.C.H.H.C.S. x 1	16	ND 23.055	4	5/16 N.C. Hex Lock Nut
3	ND 38.096	2	1/4 x 90° Street Elbow	17	ND144.028	1	No. 6 Type F Screw
4	ND 13.259	1	Air Motor	ASSOCIATED ITEMS NOT INCLUDED IN ASSEMBLY 461.900			
5	ND 68.096	1	1/4 x 1 1/2 Pipe Nipple	18	ND312.055	1	3/8 N.C. Hex Jam Nut
6	ND 69.096	2	1/4 x 90° Elbow	19	ND213.055	5	3/8 N.C. Hex Lock Nut
7	ND 46.096	1	1/4 x 4 Pipe Nipple	20	ND 8.066	1	101 Link No. 40 Chain
8	ND 18.298	1	Coupler Shield	21	ND535.950	1	Motor - Reducer Base
9	ND 15.034	1	Coupler	22	ND228.028	2	1/2 N.C. Sq. Head S.S. x 1 1/2
10	ND 7.032	1	Reducer	23	ND101.096	1	1/4 x 41 1/4 Pipe Nipple
11	ND 2.006	1	Hex Head Brass Plug	24	ND100.096	1	1/4 x 41 3/4 Pipe Nipple
12	ND 16.228	1	14 Tooth Sprocket				
13	ND 8.251	1	3/16 x 1 3/4 Key				
14	ND626.950	1	Motor-Reducer Mount				

Repair Parts List For Model 6A/AR/S & 6A/AR/EF/S Spreader



DIAMETER CYLINDER
AND
POWER TRANSFER



DIAMETER CYLINDER ASSEMBLY 43.900

ITEM NO.	PART NUMBER	Q'TY.	DESCRIPTION
1	ND 4.006	1	1/4 Tapered Cap Plug
2	ND 1.264	1	Cylinder Head
3	ND 5.028	3	7/16 N.C.H.H.C.S. x 3/4
4	ND 16.051	1	Piston
5	ND240.167	1	14 mm Gasket
6	ND 13.028	1	9/16 N.C.H.H.C.S. x 1 3/4
7	ND 34.096	1	1/4 - 1/4 Male Elbow Conn.
8	ND 33.101	1	Piston Plate
9	ND 9.041	1	Piston Cup
10	ND 64.950	1	Cylinder
11	ND 2.104	1	Piston Rod

ASSOCIATED ITEMS NOT INCLUDED IN ASSEMBLY 43.900

ITEM NO.	PART NUMBER	Q'TY.	DESCRIPTION
12	ND 61.646	1	1/4 x 67 Impolene
13	ND 95.149	1	Cylinder & Spring Rod
14	ND108.149	2	Connector Rod
15	ND 33.061	2	1/8 x 5/8 Drive Pin
16	ND 5.267	1	Diameter Cylinder Connector
17	ND112.149	1	Equalizer Rod
18	ND 6.061	2	1/8 x 1 1/4 Drive Pin
19	ND 2.039	2	3/4 Machine Bushing
20	ND 10.157	2	Bell Crank
21	ND 5.017	2	Spring Terminal
22	ND 5.061	2	1/8 x 1 Drive Pin
23	ND 166.061	1	3/16 x 2 1/2 Cotter Pin

SPREAD ARMS

ITEM NO.	PART NUMBER	Q'TY.	DESCRIPTION
1	ND497.950	1	Spread Arm
2	ND 23.028	1	1/2 N.C.H.H.C.S. x 2 1/4
3	ND 89.028	1	1/2 N.C.H.H.C.S. x 2 1/2
4	ND 66.108	1	Clipped Washer
5	ND 24.446	1	Sleeve
6	ND 17.110	1	Spread Arm Spring
7	ND 58.055	2	1/2 N.C. Hex Lock Nut

